

KSU Series Micro Mini Surface Mount Detect Switches

New!



Features/Benefits

- New multi contact construction
- Metal actuator
- Low actuating force
- Gold contacts
- Compatible with pick and place machines

Typical Applications

- Mobile phones and other handheld devices
- Portable medical devices
- Audio devices
- Automotive
- Alarm devices
- Payment terminals

Specifications

FUNCTION: Momentary action.
 CONTACT TYPE: SPST Normally open.
 TERMINALS: 4 SMT terminals.
 MAXIMUM POWER: 0.2 VA
 MIN./MAX. VOLTAGE: 20 mV – 50 VDC.
 MIN./MAX. CURRENT: .01 mA – 0.01 A.
 LOW LEVEL USE: 20 mV – 0.01 mA.
 DIELECTRIC STRENGTH: ≥ 250 Vrms.
 CONTACT RESISTANCE: ≤ 100 m Ω .
 INSULATION RESISTANCE: (100 VDC) $10^9 \Omega$.
 BOUNCE TIME: < 3 ms.

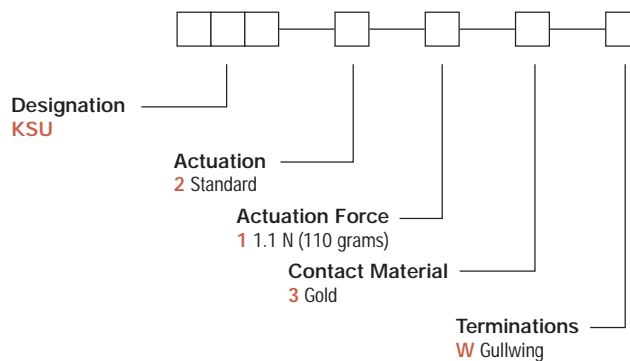
ACTUATING FORCE: 1,1 N $\pm 0,8$ N
 TRAVEL TO MAKE: 0,65 mm - 0,45/+0,25 mm
 MAXIMUM FORCE at max travel: 1,8 N
 OPERATING TEMPERATURE: -40°C to +125°C.
 MECHANICAL & ELECTRICAL LIFE: 100,000 cycles.
 SOLDERABILITY: Infrared reflow.
 PACKAGING: Delivered on tape & reel of 1000 pieces. The reel diameter is 330mm (12.992). The tape dimensions conform to the EIA-481 and EC-286-3 norms.
 STORAGE TEMPERATURE: -55°C to + 125°C.
NOTE: Specifications listed above are for switches with standard options. For information on specific and custom switches, consult Customer Service Center.

Build-A-Switch

To order, simply select desired option from each category and place in the appropriate box. Available options are shown and described on page E-5. For additional options not shown in catalog, consult our Customer Service Center.



Detect

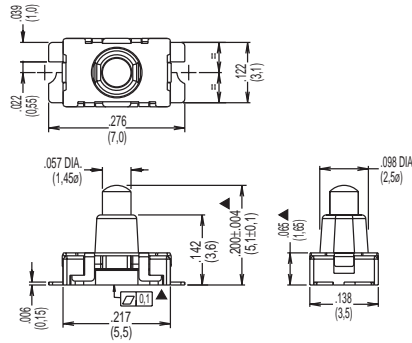


New!

KSU Series Micro Mini Surface Mount Detect Switches

DESIGNATION

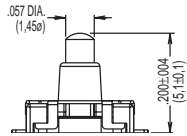
KSU



KSU213W
SPST

ACTUATION

2 STANDARD



ACTUATION FORCE

1 1.1 N (110 GRAMS)

CONTACT MATERIAL

3 GOLD, 4 REDUNDANT CONTACTS

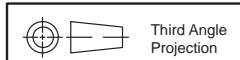
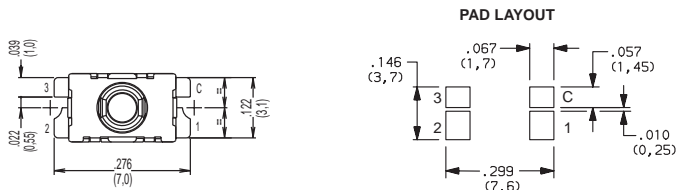


E

Detect

TERMINATION

W GULLWING



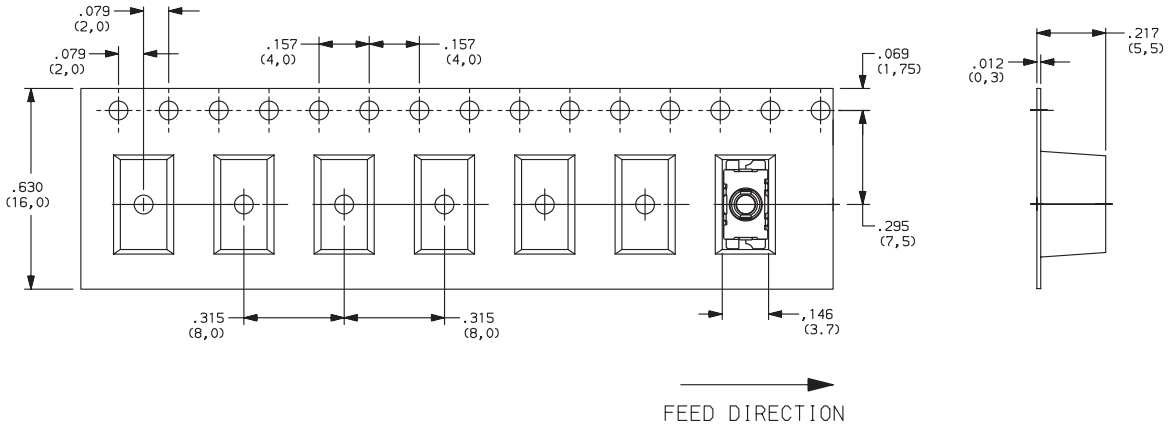
Third Angle
Projection

Dimensions are shown: IN (mm)
Dimensions subject to change

KSU Series Micro Mini Surface Mount Detect Switches

New!

TAPE & REEL



Detect